

# BIE22000X

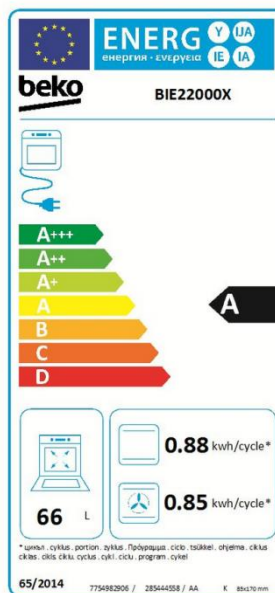
*Energy Efficiency Class A, 66Litres Cavity, 6 Cooking Functions and Solid Glass Inner Door are just a few of the numerous advantages of the BIE22000X, to facilitate your everyday life in the kitchen.*



**Energy Efficiency Class A** – By purchasing Beko appliances with energy efficiency class A, you benefit twice from the beginning: They not only make a positive contribution to environmental protection, but also protect your family budget.

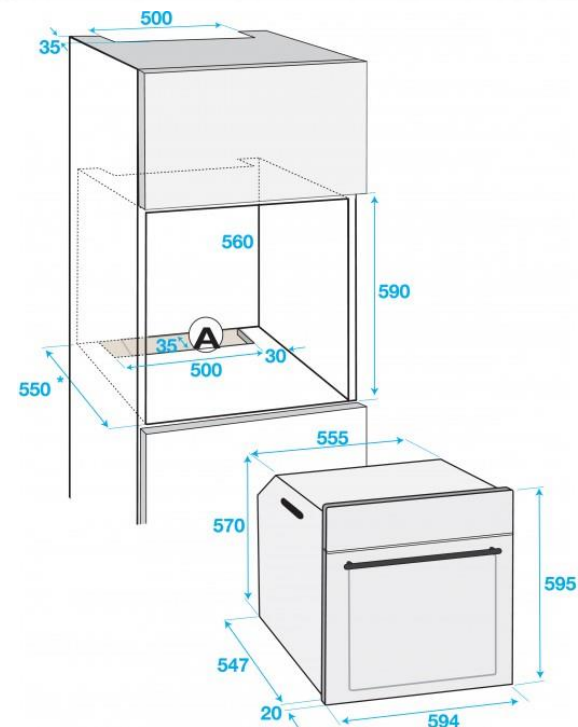


**PractiClean** – All Beko built-in ovens have full glass inner door, without dirt traps, it is particularly easy to clean



## Features

- Colour: Stainless Steel w/Black Glass
- Multifunction w/Grill
- Mechanical Control
- Efficiency Class: A
- Cavity Volume: 66Liters
- Double Fully Glazed Interior
- 6 Functions
- Cooling Fan
- Frequency: 50Hz
- Voltage: 220-240V
- Max. Current: 16A
- Power Consumption: 2400W



## Oven Functions

- Grill
- Top & Bottom Heat
- Fan
- Fan grill
- Bottom Heat
- Bottom Heat with Fan

## Dimensions

- Height: 59.5cm
- Width: 59.4cm
- Depth: 56.7cm
- Weight: 30.4Kg