



# HII 64401T



## Induction cooker

The latest and most efficient cooking technology: Induction cookers are only heated when a pot is placed on the stove. And also only where he stands. This automatically detects the magnetic field. Beneath the glass field is a coil that generates a magnetic field. If a pot is placed on the cooking zone, the heat is generated directly in the cookware. This saves energy and conserves resources. Burnt fingers are a thing of the past.



## General Features

Type: Induction cooker

Number of cooking zones: 4

Color: Black

## Energy

Left in the front

180 mm - 2000 W

Back left

145 mm - 1600 W

Front right

145 mm - 1600 W

Back right

180 mm - 2000 W



## Functions

Overflow protection

Residual heat indicator

Frameless

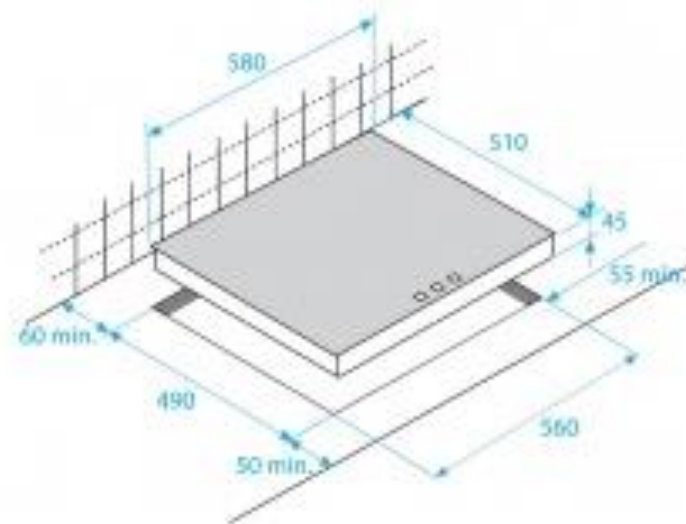
Digital display of the cooking level

Timer

Child Lock

Safety shutdown (against long-running operation)

Control: Slide Touch Sensor buttons



## Measurements

Height : 5.5(cm)

Width : 60(cm)

Depth : 51.2(cm)

Dimensions of the cavity : 56x49 cm