



### Key Features

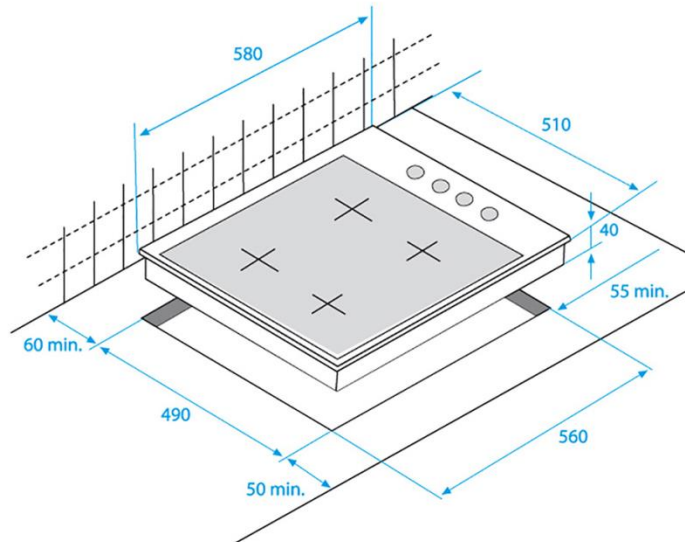
- Colour : Stainless Steel
- Integrated Electronic Ignition
- Flame failure Device
- Gloss finish enamel pan supports
- Easy to clean one piece hob plate
- 3 different burner sizes for maximum flexibility
- Suitable for LPG Conversion

### 4 Gas Burners

- Front left: 2.9 kW
- Front right: 1.0 kW
- Rear left: 2.0 kW
- Front right: 2.0 kW

### Dimensions

- Height: 8cm
- Width: 58cm
- Depth: 51cm



**Warranty:** 3 Years on Parts & Labour