



General Features

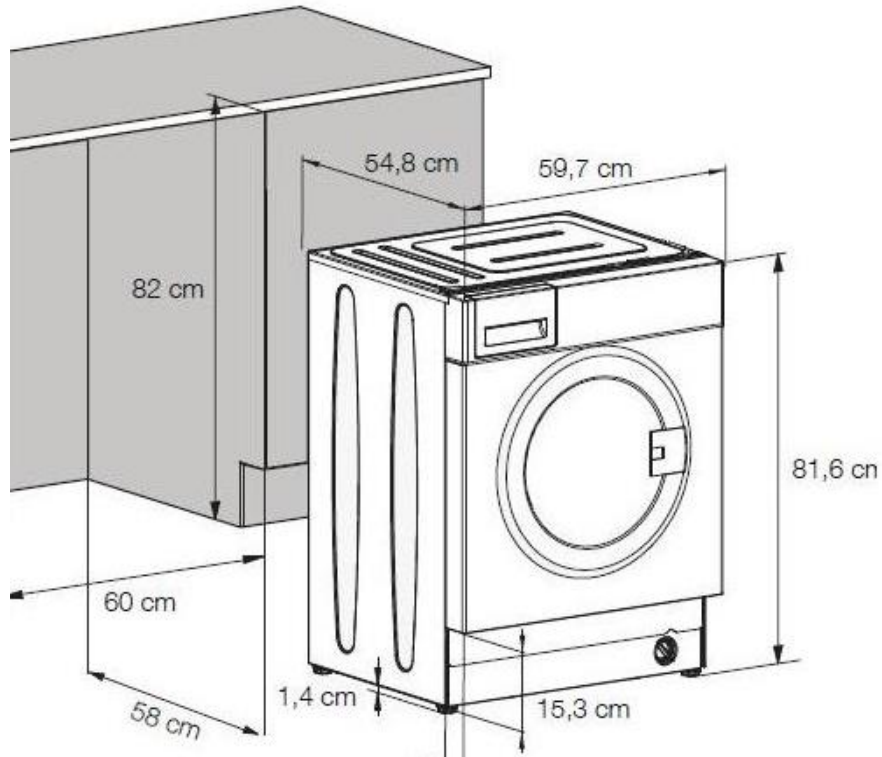
- * Load Capacity: 8Kg
- 1200rpm Spin Speed
- LCD Display,
- Time Delay Up To 24hr
- Remaining Time Indicator
- Program Follower
- Temperature Selection
- Spin Speed Selection
- 54cms Depth
- Energy Efficiency class : A++
- Annual Energy Consumption : 218kWh
- Annual Water Consumption : 11000ltrs
- Automatic Water Control System
- Child Lock
- Drum volume: 55 litres

16 Variable washing programmes:

Daily Express, Xpress Super Short, BabyProtect, Freshen Up, Self Clean, Hand Wash, Woolen, Dark Care, Eco Clean 20', Sports

Auxiliary Functions:

Prewash, Express, Extra rinse, Easy Iron



Guarantee: 5 Years on Parts & Labor
 2 Years on Cross & Bearings

Smart Solutions



Hand Wash – This program allows a safe wash the most delicate fabrics, for example, silk and cashmere. Creates a particularly smooth action, thereby minimizing agitation to prevent garment shrink.



Clean Program Eco 20°C – An ecological program that saves up to 80% energy if a program Cotton 40°C compared. This program is recommended for washing super-maximum 3.5 kg of lightly soiled clothes, using suitable detergents with a good washing performance at temperatures of 20°C, which saves time and money.



Dark Clothes Care – Beko has a special program for cotton or synthetic dark colours can be used for dark or coloured garments that can discolour clothing.



Mix 40 – Designed for washing synthetic and cotton garments in one wash load, this program can wash a mixed load of cotton and synthetic clothes at once.



Child Lock – The child lock option can be activated to prevent small fingers to manipulate the buttons. If the child lock option is activated, it prevents making any changes to the selected program.



Technology Aquawave™ – With its new drummer, shovel and design your door, Aquawave Beko Washing™ technology provides smooth conditions yet effective wash all clothing, which lengthens its life.



Automatic Water Control System – The burden of water can vary in size and tissue type. Thanks to the automatic water control, the amount of water is adjusted automatically to provide optimum performance depending on the size and type of fabric wash.